


One-Click™ Cleaner ODC Instruction Manual

Thank you for choosing the **One-Click™ Cleaner ODC**. The **One-Click™ Cleaner ODC** is a high-performance device designed for cleaning the ferrule end faces of ODC connectors. Carefully read this instruction manual before using this device. Please keep this instruction manual for future reference.

1. Safety precautions

	Though our device is deemed safe, improper usage or handling can still inflict injury to others.
	One-Click™ Cleaner ODC is designed to clean ODC connectors, MU connector and LC connector only. Fujikura is not liable for damage caused in attempt to apply this device to other applications.

2. Notes on usage

- Do not attempt to disassemble as this can cause damage to the device.
- Do not re-use cleaning cloth as this will eliminate its cleaning ability.
- Do not touch the cleaning cloth as this will cause contamination.
- Do not pull the cleaning cloth, use only the device body.
- Do not use this cleaner when the cloth is empty, as this can cause damage to the connector.

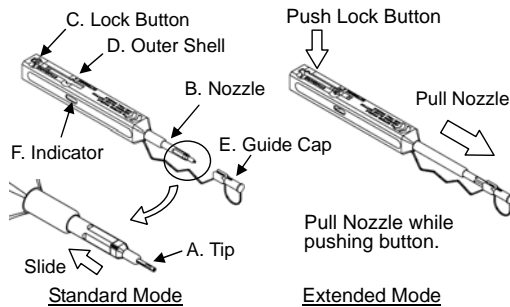
3. Notes on storage for extended periods

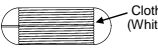





- Do not expose device to direct sunlight, high temperature or high humidity.
- The cover on the guide cap should be closed at all times when device is not in use.

4. Sales enquiries

Fiber Optics Components & System Div. Fujikura Ltd
 1-5-1 Kiba, Koto-ku, Tokyo 135-8512, JAPAN
 TEL: +81-3-5606-1205 FAX: +81-3-5606-1536
 E-mail: telcon@fujikura.co.jp

5. Device construction



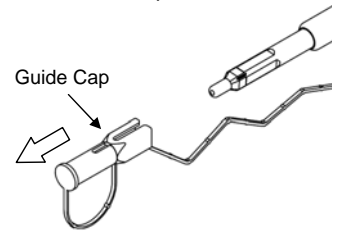
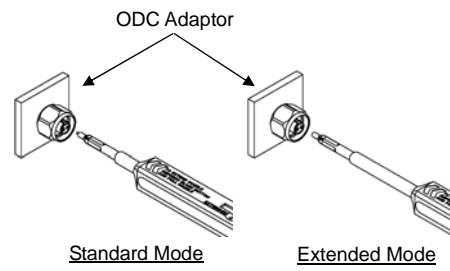
	View of Indicator	View of the Nozzle end
Full	 Cloth (White)	 Tip (Black) Cloth (White)
Little	 Cloth (White) Red	 Tip (Black) Cloth (White)
Empty	 Red	 Tip (Black) No Cloth (Black)

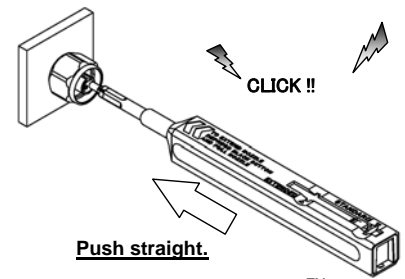
Identification of remaining cloth

No.	Part Name	Function
A	Tip	Lead the cleaning cloth to the optical connector end face.
B	Nozzle	Lead tip to the optical connector end face.
C	Lock Button	Push the button to extend and contract the nozzle.
D	Outer Shell	Push the outer shell to clean the connector.
E	Guide Cap	Acts as dust cap or cleaning adaptor for connector plug.
F	Indicator	Provides indication of remaining cleaning cloth.

6. Applications

<Connector inside adaptor>

- Remove Guide Cap from the device.
 
- Insert tip of cleaner into ODC Adaptor.
 

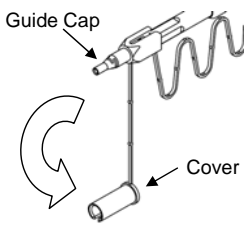
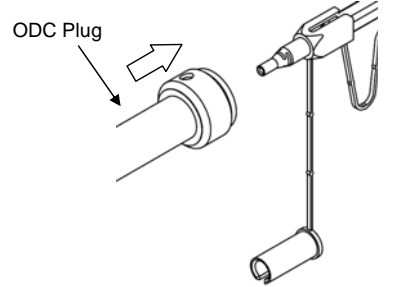
Note: This drawing shows only ODC, but this product can clean MU and LC too.
- Push the Outer Shell to start cleaning the ODC connector end face. A "click" sound indicates end of cleaning process. Close the cover after use.
 

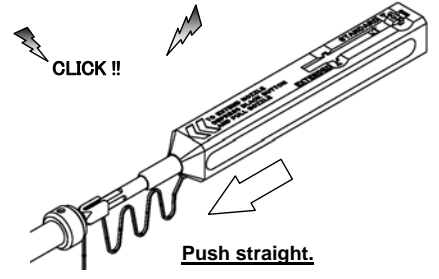
Be careful not to slant the One-Click™ Cleaner ODC while inserting into the adaptor.

Do not overly exert force during insertion as this may cause damage to both the connector and the One-Click™ Cleaner ODC.

If pushing Outer Shell is inhibited, remove One-Click™ Cleaner ODC from adaptor and ensure that there is no sizeable debris inhibiting the cleaning process.

<Connector plugs alone>

- Open the Cover on the Guide Cap.
 
- Insert ODC connector into the Guide Cap.
 

Note: This drawing shows only ODC, but this product can clean MU and LC too.
- Push the Outer Shell to start cleaning the ODC connector end face. A "click" sound indicates end of cleaning process. Close the cover after use.
 

Be careful not to slant ODC connector while inserting into the Guide cap.

Do not overly exert force during insertion as this may cause damage to both the connector and the One-Click™ Cleaner ODC.

If pushing Outer Shell is inhibited, remove One-Click™ Cleaner ODC from adaptor and ensure that there is no sizeable debris inhibiting the cleaning process.