


Thank you for choosing the **One-Click® Cleaner SC PRO**. The **One-Click® Cleaner SC PRO** is a high-performance device designed for cleaning the ferrule end face of SC connectors. Please carefully read this Handbook before using this device.

1. Safety precautions

	Though our device is deemed safe, improper usage or handling can still inflict injury to others.
	One-Click® Cleaner SC PRO is designed to clean SC Connector. Fujikura Ltd. is not liable for damage caused in attempt to apply this device to other applications.

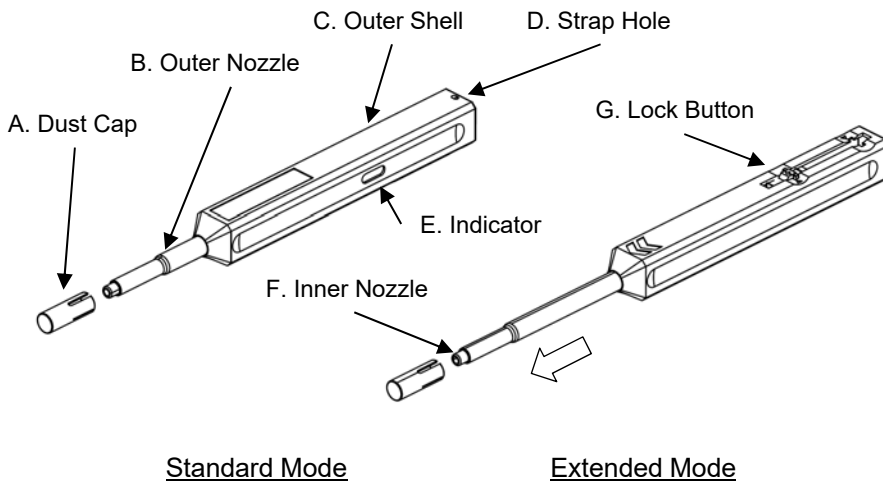
2. Notes on usage

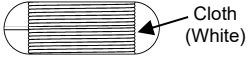
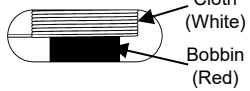
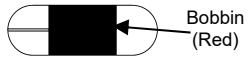
- Do not attempt to disassemble as this can cause damage to the device and void warranty.
- Do not re-use cleaning cloth as this will eliminate its cleaning ability.
- Do not touch the cleaning cloth as this will cause contamination.
- Do not pull the cleaning cloth, use only the device body.
- Do not use this cleaner when the cloth is empty, as this can cause damage to the connector.

3. Notes on storage for extended periods

- Do not expose device to direct sunlight, high temperature or high humidity.
- The dust cap should be closed at all times when device is not in use.

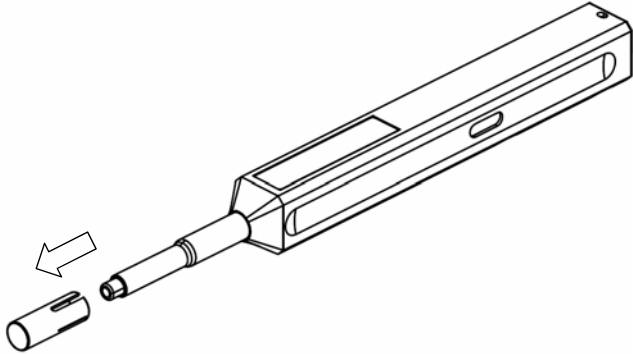
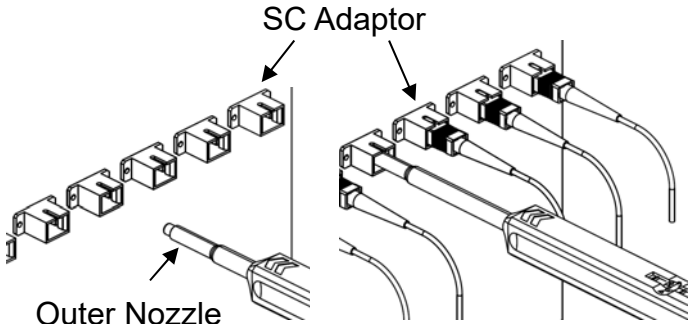
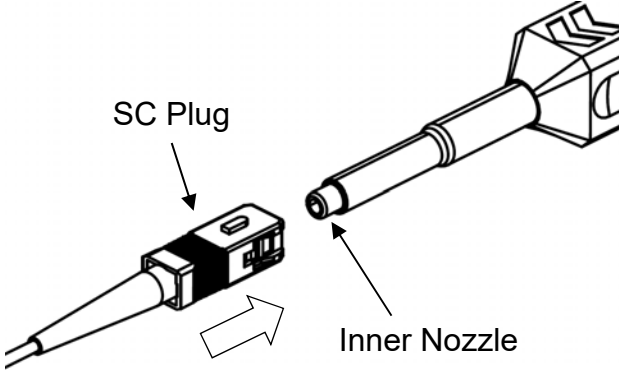
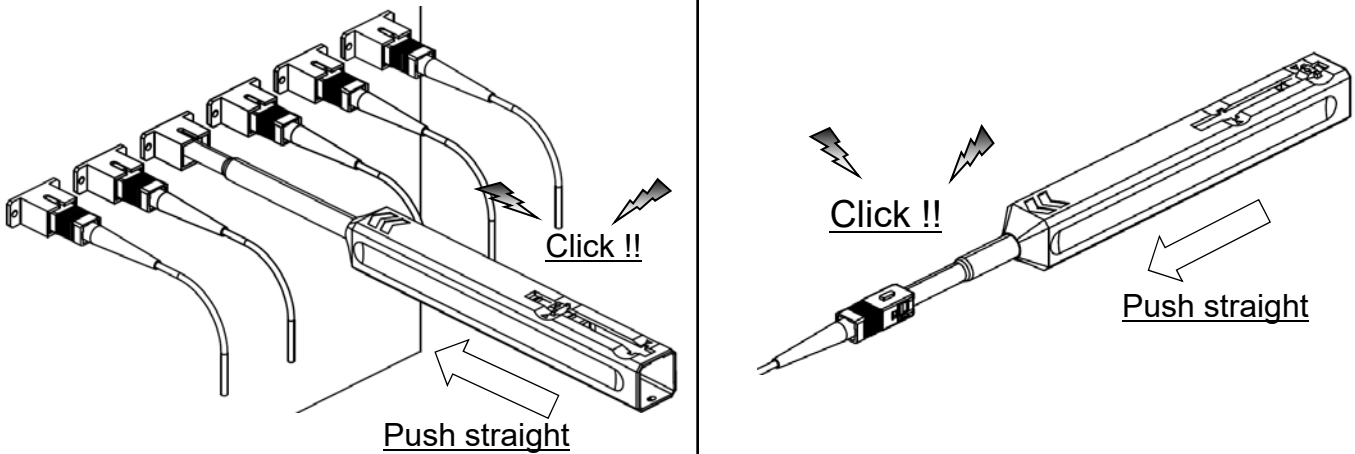
4. Device construction



	View of Indicator
Full	 Cloth (White)
Little	 Cloth (White) Bobbin (Red)
Empty	 Bobbin (Red)

Identification of remaining cloth

No.	Part Name	Function
A	Dust Cap	Acts as the cap
B	Outer Nozzle	Aligns the cleaning cloth to the connector end face when cleaning through the connector adapter.
C	Outer Shell	Houses cleaning cloth and pushed forward to clean the connector.
D	Strap Hole	Can be used to attach a strap to the cleaner (strap not included).
E	Indicator	Provides indication of remaining cleaning cloth.
F	Inner Nozzle	Aligns the cleaning cloth to the connector end face when cleaning the connector plug.
G	Lock Button	Push the button to extend and contract the nozzle.

<Connector inside adapter>	<Connector plugs alone>
<p>1. Remove Dust Cap from device</p> 	
<p>2. Insert Outer Nozzle of cleaner into SC Adaptor.</p>  <p><u>Standard Mode</u> <u>Extended Mode</u></p>	<p>2. Insert the SC connector into the Inner Nozzle.</p> 
<p>3. Push the Outer Shell to start cleaning the target connector end face. A "click" sound indicates end of cleaning process. Please attach the Dust Cap after use.</p>  <p><u>Click !!</u> <u>Push straight</u></p> <p>Be careful not to slant the One-Click® Cleaner SC PRO while inserting into the Adaptor / Plug. Do not overly exert force during insertion as this may cause damage to both the connector and the One-Click® Cleaner SC PRO.</p>	