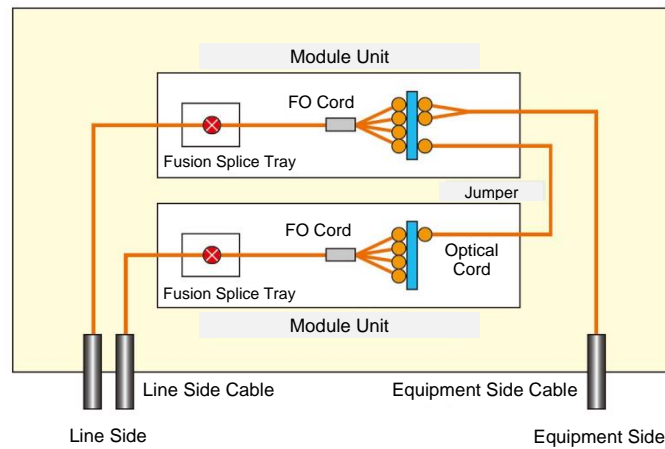
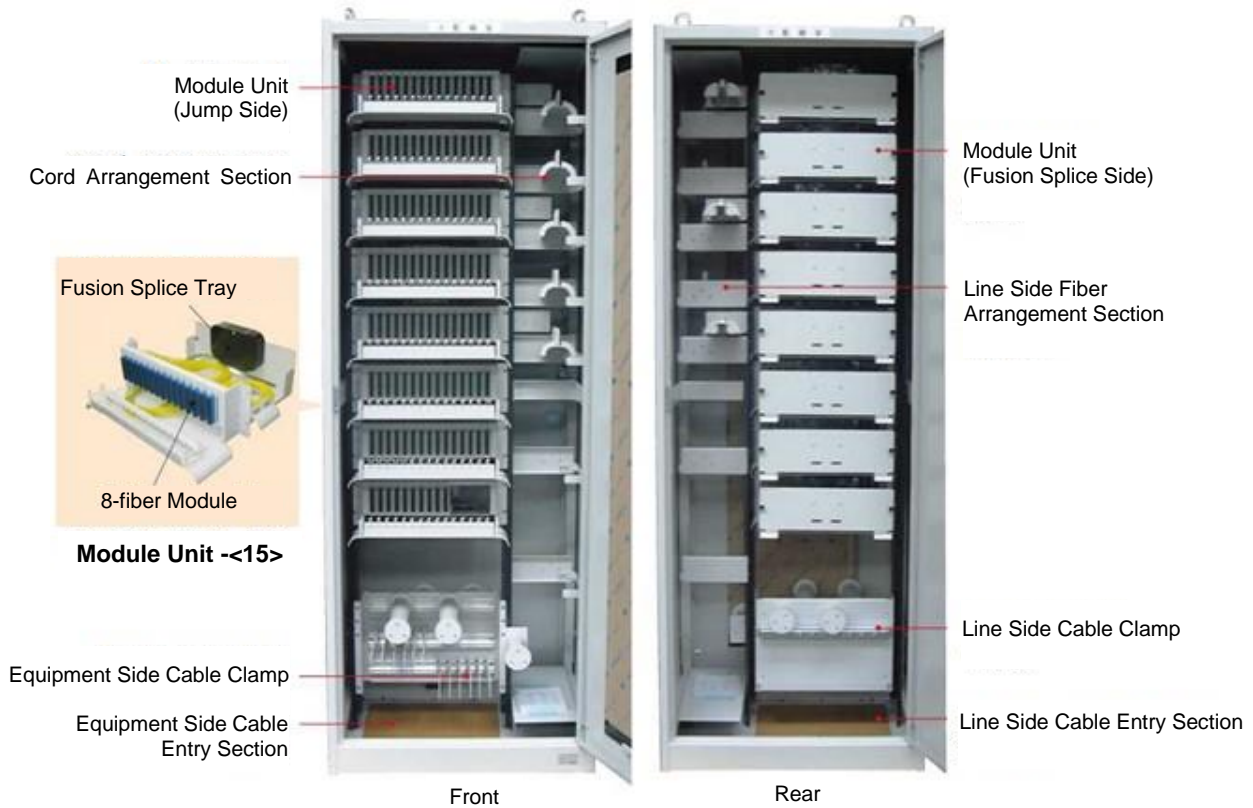


Optical Distribution Frame CDF Series



Features

- Front and rear access optical distribution frame based on the 19-inch rack (EIA standard).
- Achieve the desired capacity by mounting a combination of module units.
- Optical distribution frame with a door.
- Please contact us for other variations in fiber count and specifications.



Contact us

Specifications

Item	Model Number	CDF-0622L	CDF-6020L	CDF-6020S
Usage Environment		Indoor		
Access		Front and Rear		
Cable Entry Direction (*1)		Top or Bottom		
Number of Line Side Cable		Maximum 8 cables		Maximum 4 Cables
Number of Module Unit (*2)		9 units	8 Units	
Maximum Number of Connector Adapter (*3)		1080	960	512
Dimensions		W 800 x D 600 x H 2200 mm	W 800 x D 600 x H 2000 mm	W 600 x D 600 x H 2000 mm

Module Unit Type	Connector Type	Number of Connector Adapters	Fiber Count of Fusion Splices (4 Fiber Ribbon)	Application Table for Optical Distribution Frame		
				CDF-6022L	CDF-6020L	CDF-6020S
Module Unit -<15>	SC	120	120F	✓	✓	
Module Unit -<8>		64	64F			✓

*1 Please specify at the time of purchase.

*2 Possible to make a selection from the application table above.

*3 The number of connector adapters varies depending on the module unit to be installed.



Contact us