

## Optical Termination Box (Indoor Use) FDB-PR Series



The FDB-PR is designed for connecting outdoor cables as well as indoor cables and includes a pre-installed 4 FO (Fan Out of 4 Fiber Ribbon) module.

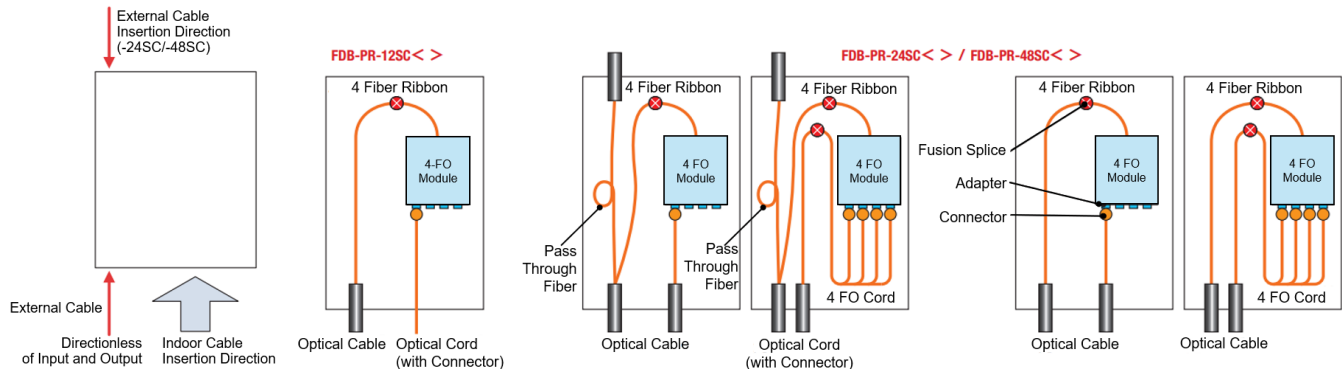
### Features

- FO (fan-out) cord preparation is not necessary, enabling rapid installation.
- The 24-fiber type could be used to store pass-through cables and for mid-access branching of cables.

### Application

- Wall mount
- Indoor

### Structure & Connection Type



		FDB-PR-12SC (*1)	FDB-PR-24SC (*1)	FDB-PR-48SC (*1)
Cable Installation Direction		Bottom	Top and Bottom	
Connection Type		SC connector		
Adapter Capacity		Max 12	Max 24	Max 48
4 FO Module	Module Capacity	Max 3	Max 6	Max 12
	Pre-installed Fiber	4 Fiber Ribbon		
Fiber Capacity	4 Fiber Ribbon	12 fibers	48 fibers	96 fibers
Number of Pass Through Fiber (4 Rigid Ribbon Fiber)		-	100 (Single side or both side branch)	
Dimensions (mm)		W 148 x H 208 x D 59	W 268 x H 328 x D 99	W 328 x H 328 x D 99
Mounting Hole Position (mm)		W 131 x H 191, 4 holes (Ø 6)	W 251 x H 311, 4 holes (Ø 6)	W 311 x H 311, 4 holes (Ø 6)
Applicable Cable	Input	Round cable Ø 11 mm or less	Round cable Ø 17 mm or less (3 pcs)	
	Output	2 mm cord, 2 mm width flat outdoor or indoor cable	SC connectorized cord cables Ø 15 mm or less (6 pcs), 2 mm cord, 2 mm width flat outdoor or indoor cable	
Weight (kg)		Approx. 1	Approx. 3.5	Approx. 4
Optional Item		4 FO module		

\*1. Specify number of pre-installed 4 FO module



Contact us