

Thank you for choosing the One-Click™ Cleaner MPO-16. This product is a high-performance device designed for cleaning the ferrule end faces of all TIA-604-18 compliant MPO connectors. Please carefully read this instruction manual before using this device. Please keep this instruction manual for future reference.

1. Safety precautions



Though our device is deemed safe, improper usage or handling can still inflict injury to others.

One-Click™ Cleaner MPO-16 is designed to clean all TIA-604-18 compliant MPO connectors only. Fujikura is not liable for damage caused in attempt to apply this device to other applications. It does not support MPO connectors(IEC61754-7-1) have guide pins as the distance between two pin-hole centers is 4.6mm.

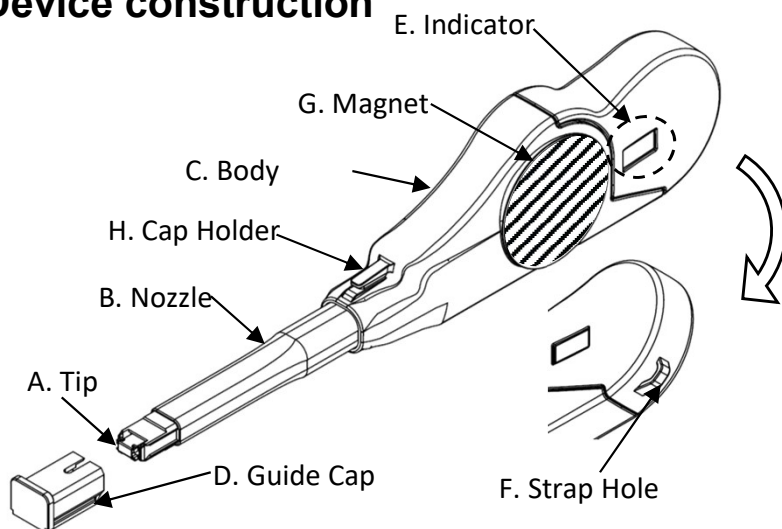
2. Notes on usage

- Do not attempt to disassemble as this can cause damage to the device and void warranty.
- Do not re-use cleaning cloth as this will eliminate its cleaning ability.
- Do not touch the cleaning cloth as this will cause contamination.
- Do not pull the cleaning cloth, use only the device body.
- Do not use this cleaner when the cloth is empty, as this can cause damage to the connector.
- Please keep it away from items that are sensitive to magnetism.

3. Notes on storage for extended periods

Please avoid exposing the device to direct sunlight, high temperatures, or high humidity. Always ensure that the cover on the guide cap is closed when the device is not in use.

4. Device construction



| | View of Indicator |
|--------|-------------------|
| Full | Cloth (White) |
| Little | Clear |
| Empty | Clear |

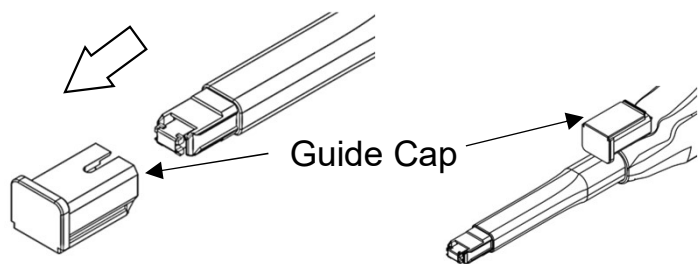
Identification of remaining cloth

| No. | Part Name | Function |
|-----|------------|---|
| A | Tip | Lead the cleaning cloth to the optical connector end face. |
| B | Nozzle | Guide the tip to the optical connector end face. |
| C | Body | Push the body to clean the connector. |
| D | Guide Cap | Functions as a dust cap or cleaning adapter for the connector plug. |
| E | Indicator | Indicates the remaining cleaning cloth. |
| F | Strap Hole | You can attach a strap to the cleaner (strap not included). |
| G | Magnet | Used to attach to a metal patch panel or work area when not in use. |
| H | Cap Holder | You can put the cap in the holder when not in use. |

5. Applications

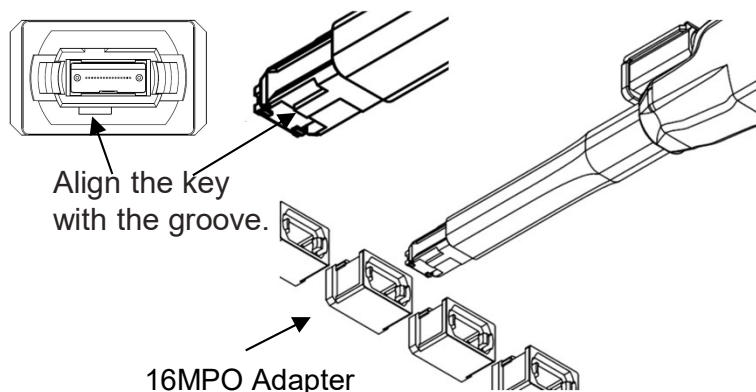
<Connector inside adapter>

1. Remove Guide Cap from the device



The Guide Cap can be attached Cap Holder.

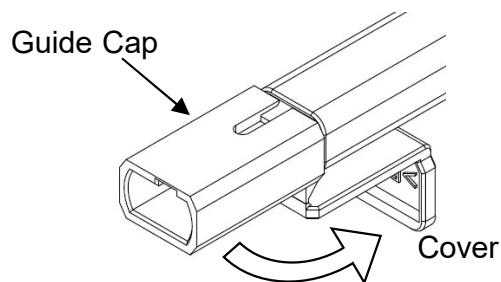
2. Insert the Nozzle into the Adapter



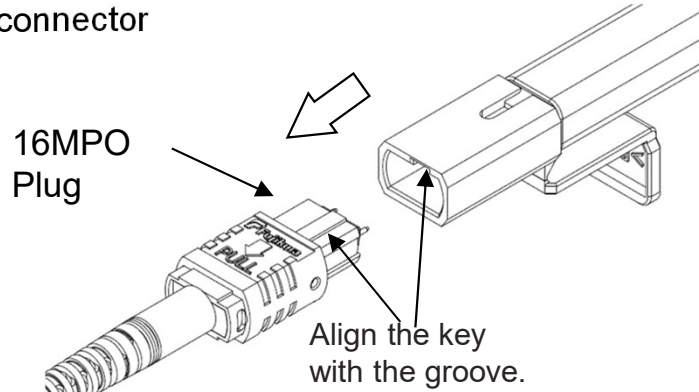
※Apply to 16-fiber MPO connectors only.

<Connector on jumper>

1. Open the Cover on the Guide Cap

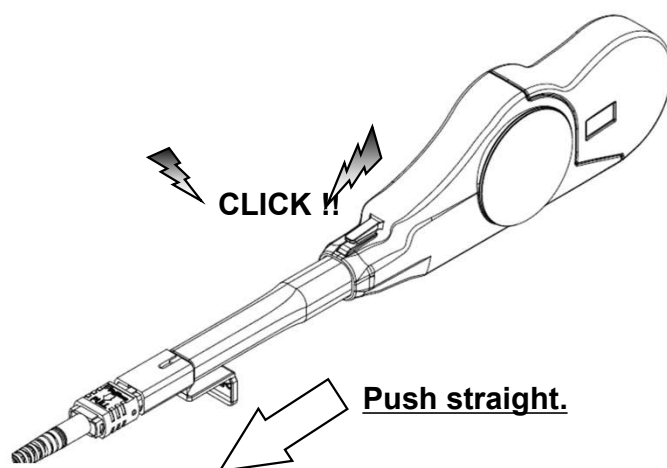
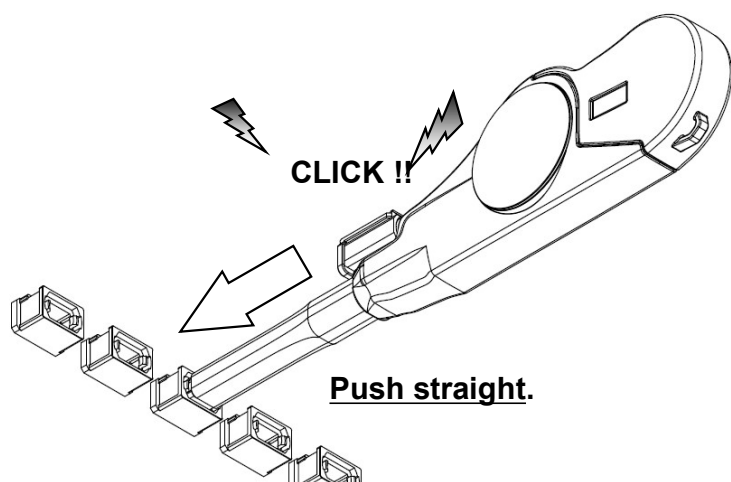


2. Insert the tip of the Guide Cap to the 16MPO connector



※Apply to 16-fiber MPO connectors only.

3. Push the Body to start cleaning the target connector end face. A "Click" sound indicates end of cleaning process. Please attach the Guide Cap/Cover after use.



- Be careful not to slant the One-Click™ Cleaner MPO-16 while inserting into the Adapter / Plug.
- Do not overly exert force during insertion as this may cause damage to both the connector and the One-Click™ Cleaner MPO-16.
- If pushing the body is inhibited, remove One-Click™ Cleaner MPO-16 from adapter and ensure that there is no sizeable debris inhibiting the cleaning process.

6. Contact us

<https://www.optic-product.fujikura.com/optical-components/contact/>