


Thank you for choosing the **One-Click™ Cleaner SC Mini**. The **One-Click™ Cleaner SC Mini** is a high-performance device designed for cleaning the ferrule end faces of SC,ST and FC connectors. Carefully read this handbook before using this device. Please keep this handbook for future reference.

## 1. Safety precautions

	Though our device is deemed safe, improper usage or handling can still inflict injury to others.
	One-Click™ Cleaner SC Mini is designed to clean SC,ST and FC connectors only. Fujikura is not liable for damage caused in attempt to apply this device to other applications.

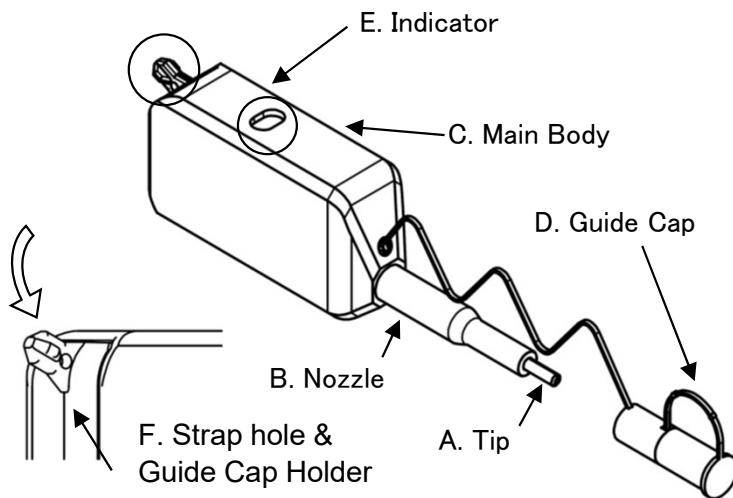
## 2. Notes on usage

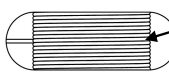
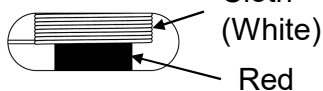
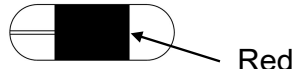
- Do not attempt to disassemble as this can cause damage to the device.
- Do not re-use cleaning cloth as this will eliminate its cleaning ability.
- Do not touch the cleaning cloth as this will cause contamination.
- Do not pull the cleaning cloth, use only the device body.
- Do not use this cleaner when the cloth is empty, as this can cause damage to the connector.

## 3. Notes on storage for extended periods

- Do not expose device to direct sunlight, high temperature or high humidity.
- The cover on the guide cap should be closed at all times when device is not in use.

## 4. Device construction



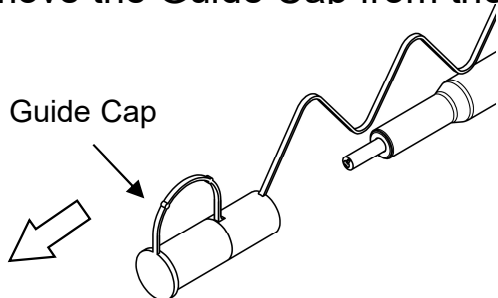
	View of Indicator
Full	 Cloth (White)
Little	 Cloth (White) Red
Empty	 Red

Identification of remaining cloth

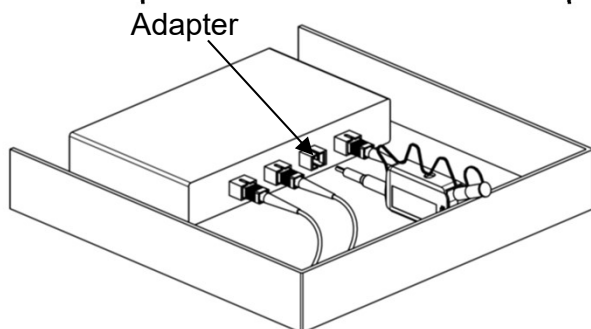
No.	Part Name	Function
A	Tip	Lead the cleaning cloth to the optical connector end face.
B	Nozzle	Aligns the cleaning cloth to the connector end face when cleaning through the connector adapter/plug.
C	Main Body	Hold this part and push it into the adapter (plug) to clean.
D	Guide Cap	Acts as dust cap or cleaning adapter for connector plug.
E	Indicator	Provides indication of remaining cleaning cloth.
F	Strap hole & Guide Cap Holder	Can pass the strings through the strap hole. The guide cap can be held in this part at the rear end of the body.

## 5. Applications(One-Click™ Cleaner SC Mini) <Connector inside adapter>

1. Remove the Guide Cap from the device.

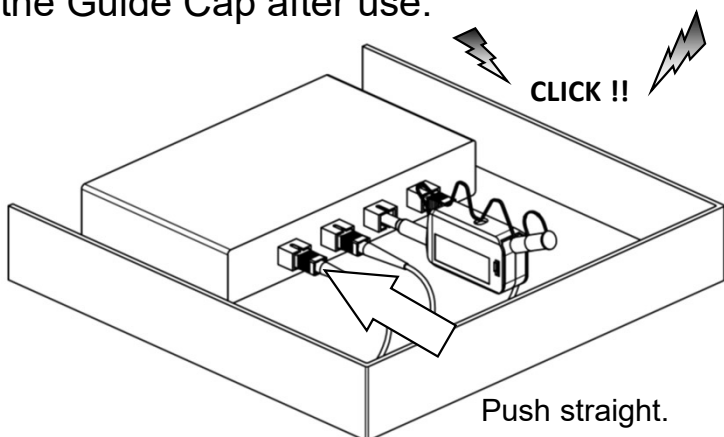


2. Insert the tip of cleaner into the adapter.



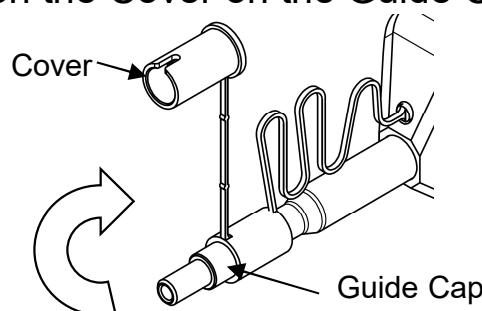
Note: This drawing shows only SC, but this product can clean ST and FC too.

3. Push the Main Body to start cleaning the connector end face. A “click” sound indicates end of cleaning process. Close the Guide Cap after use.

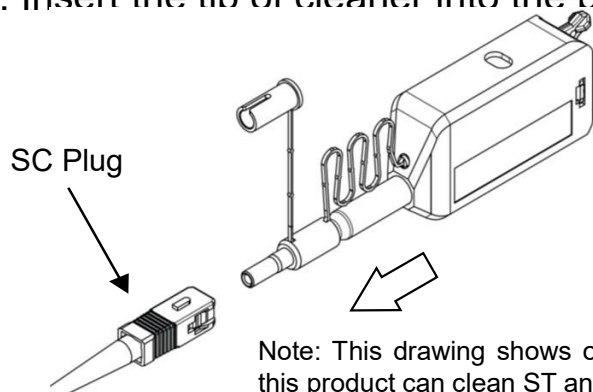


## <Connector plugs alone>

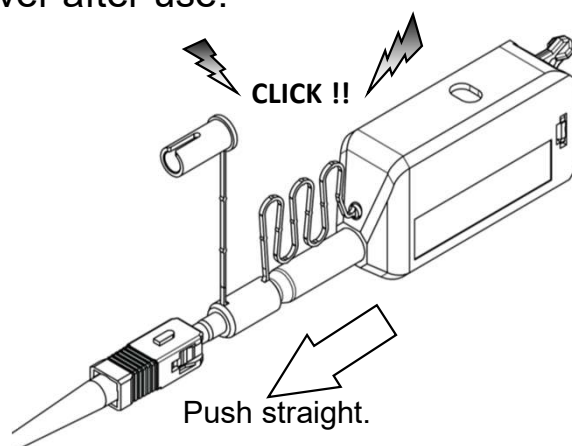
1. Open the Cover on the Guide Cap.



2. Insert the tip of cleaner into the plug.



3. Push the Main Body to start cleaning the connector end face. A “click” sound indicates end of cleaning process. Close the Cover after use.



- Be careful not to slant the One-Click™ Cleaner SC Mini while inserting into the adapter/plug.
- Do not overly exert force during insertion as this may cause damage to both the connector and the One-Click™ Cleaner SC Mini.
- If pushing Main Body is inhibited, remove One-Click™ Cleaner SC Mini from adapter/plug and ensure that there is no sizeable debris inhibiting the cleaning process.

## 6. Contact us

<https://www.optic-product.fujikura.com/optical-components/contact/>