


One-Click™ Cleaner MU/LC Handbook

DCML-00005(2)

Thank you for choosing the **One-Click™ Cleaner MU/LC**. The **One-Click™ Cleaner MU/LC** is a high-performance device designed for cleaning the ferrule end faces of MU/LC connectors. Carefully read this handbook before using this device. Please keep this handbook for future reference.

1. Safety precautions

	Though our device is deemed safe, improper usage or handling can still inflict injury to others.
	One-Click™ Cleaner MU/LC is designed to clean MU and LC connectors only. Fujikura is not liable for damage caused in attempt to apply this device to other applications.

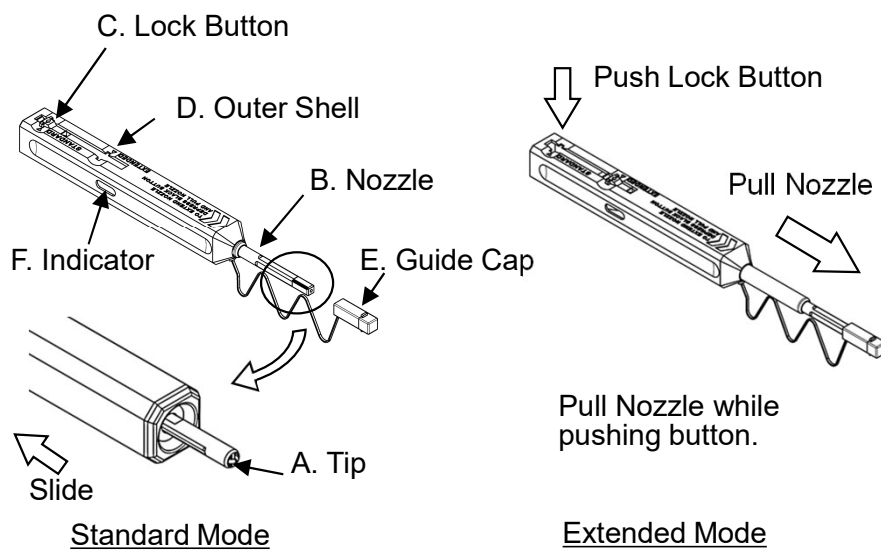
2. Notes on usage

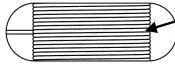


- Do not attempt to disassemble as this can cause damage to the device.
- Do not re-use cleaning cloth as this will eliminate its cleaning ability.
- Do not touch the cleaning cloth as this will cause contamination.
- Do not pull the cleaning cloth, use only the device body.
- Do not use this cleaner when the cloth is empty, as this can cause damage to the connector.

3. Notes on storage for extended periods

- Do not expose device to direct sunlight, high temperature or high humidity.
- The cover on the guide cap should be closed at all times when device is not in use.

4. Device construction



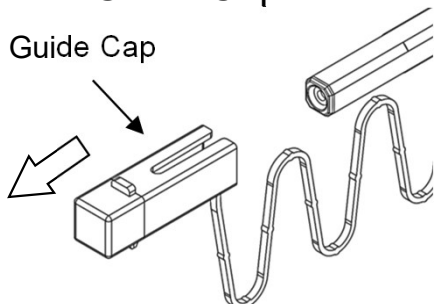
	View of Indicator
Full	 Cloth (White)
Little	 Cloth (White) Red
Empty	 Red

Identification of remaining cloth

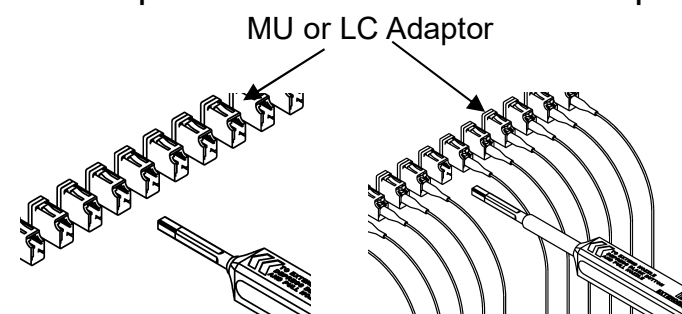
No.	Part Name	Function
A	Tip	Lead the cleaning cloth to the optical connector end face.
B	Nozzle	Lead tip to the optical connector end face.
C	Lock Button	Push the button to extend and contract the nozzle.
D	Outer Shell	Push the outer shell to clean the connector.
E	Guide Cap	Acts as dust cap or cleaning adapter for connector plug.
F	Indicator	Provides indication of remaining cleaning cloth.

5. Applications(One-Click™ Cleaner MU/LC) <Connector inside adaptor>

1. Remove Guide Cap from the device



2. Insert tip of cleaner into MU/LC Adaptor

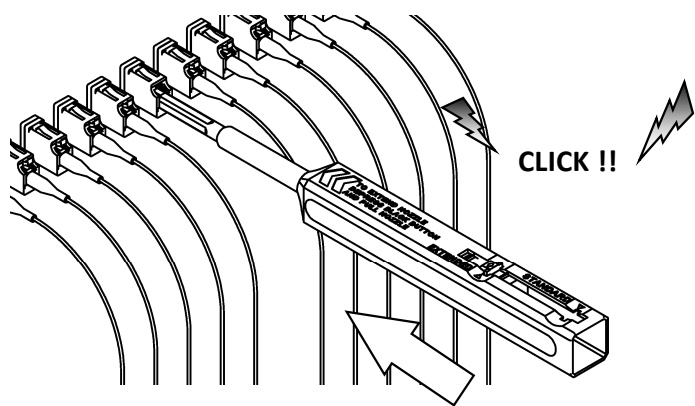


Standard Mode

Extended Mode

Note: This drawing shows only LC, but this product can clean MU too.

3. Push the Outer Shell to start cleaning the MU/LC connector end face. A “click” sound indicates end of cleaning process. Close the cover after use.



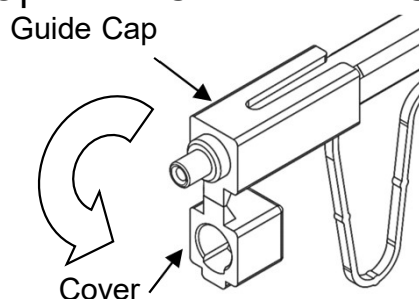
Be careful not to slant the One-Click™ Cleaner MU/LC while inserting into the adaptor.

Do not overly exert force during insertion as this may cause damage to both the connector and the One-Click™ Cleaner MU/LC.

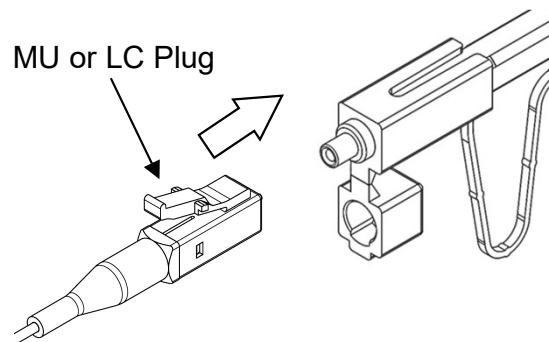
If pushing Outer Shell is inhibited, remove One-Click™ Cleaner MU/LC from adaptor and ensure that there is no sizeable debris inhibiting the cleaning process.

<Connector plugs alone>

1. Open the Cover on the Guide Cap

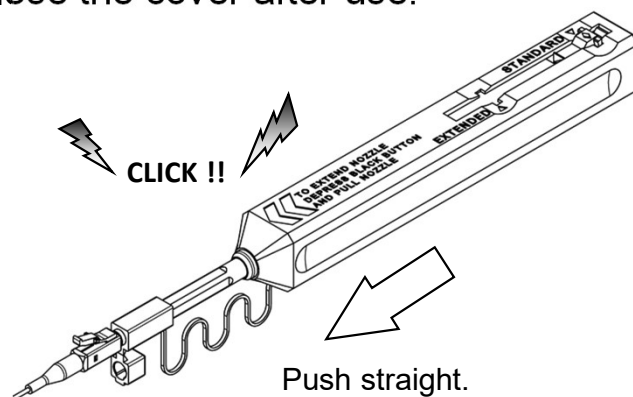


2. Insert MU/LC connector into the Guide Cap



Note: This drawing shows only LC, but this product can clean MU too.

3. Push the Outer Shell to start cleaning the MU/LC connector end face. A “click” sound indicates end of cleaning process. Close the cover after use.



Be careful not to slant MU/LC connector while inserting into the Guide cap.

Do not overly exert force during insertion as this may cause damage to both the connector and the One-Click™ Cleaner MU/LC.

If pushing Outer Shell is inhibited, remove One-Click™ Cleaner MU/LC from adaptor and ensure that there is no sizeable debris inhibiting the cleaning process.

6. Contact us

<https://www.optic-product.fujikura.com/optical-components/contact/>

Copyright (C) 2024 Fujikura.Ltd, All rights reserved.