


One-Click™ Cleaner MU/LC Mini Handbook

DCML-00017(2)

Thank you for choosing the **One-Click™ Cleaner MU/LC Mini**. The **One-Click™ Cleaner MU/LC Mini** is a high-performance device designed for cleaning the ferrule end faces of MU/LC connectors. Carefully read this handbook before using this device. Please keep this handbook for future reference.

1. Safety precautions

	Though our device is deemed safe, improper usage or handling can still inflict injury to others.
	One-Click™ Cleaner MU/LC Mini is designed to clean MU and LC connectors only. Fujikura is not liable for damage caused in attempt to apply this device to other applications.

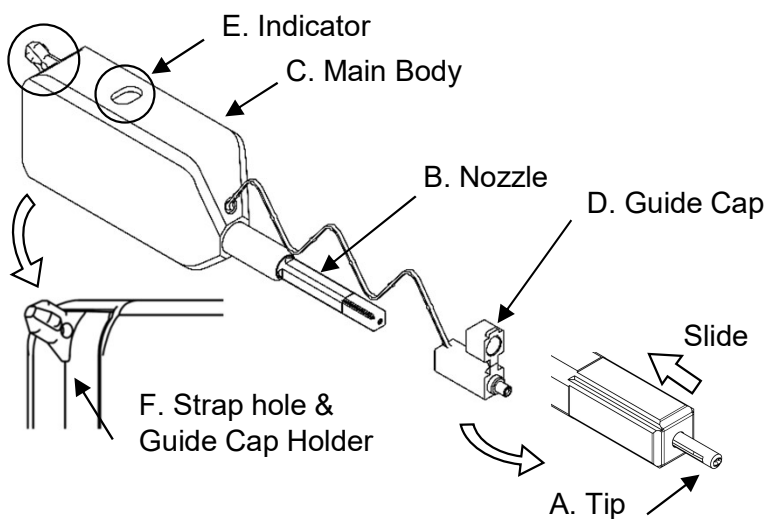
2. Notes on usage

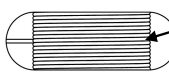
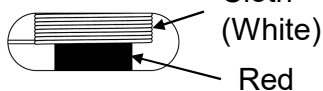
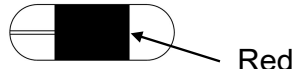
- Do not attempt to disassemble as this can cause damage to the device.
- Do not re-use cleaning cloth as this will eliminate its cleaning ability.
- Do not touch the cleaning cloth as this will cause contamination.
- Do not pull the cleaning cloth, use only the device body.
- Do not use this cleaner when the cloth is empty, as this can cause damage to the connector.

3. Notes on storage for extended periods

- Do not expose device to direct sunlight, high temperature or high humidity.
- The cover on the guide cap should be closed at all times when device is not in use.

4. Device construction



	View of Indicator
Full	 Cloth (White)
Little	 Cloth (White) Red
Empty	 Red

Identification of remaining cloth

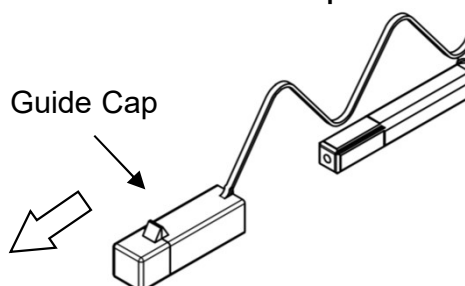
No.	Part Name	Function
A	Tip	Lead the cleaning cloth to the optical connector end face.
B	Nozzle	Aligns the cleaning cloth to the connector end face when cleaning through the connector adapter/plug.
C	Main Body	Hold this part and push it into the adapter (plug) to clean.
D	Guide Cap	Acts as dust cap or cleaning adapter for connector plug.
E	Indicator	Provides indication of remaining cleaning cloth.
F	Strap hole & Guide Cap Holder	Can pass the strings through the strap hole. The guide cap can be held in this part at the rear end of the body.

One-Click™ is trade mark of Fujikura Ltd.

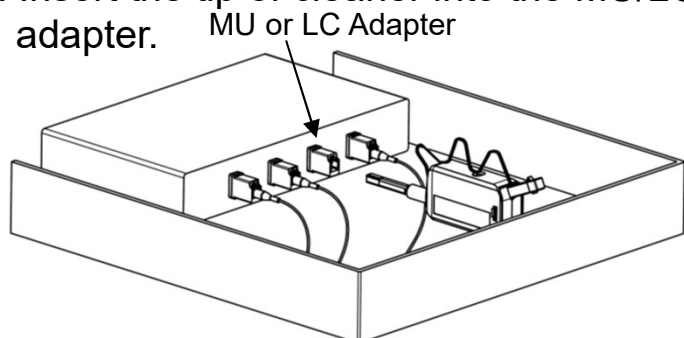
5. Applications(One-Click™ Cleaner MU/LC Mini)

<Connector inside adapter>

1. Remove the Guide Cap from the device.

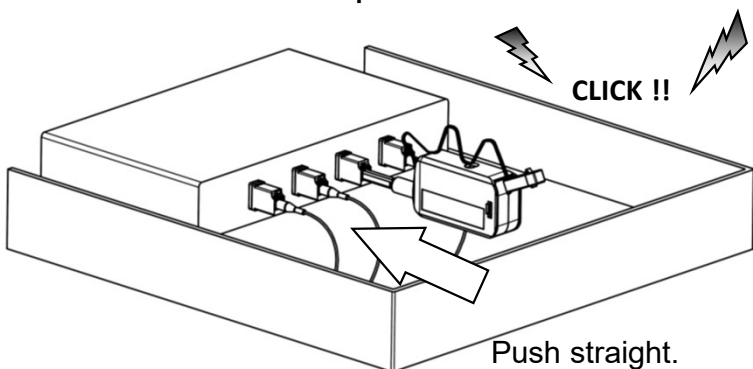


2. Insert the tip of cleaner into the MU/LC adapter.



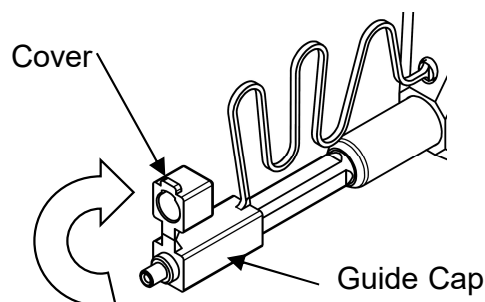
Note: This drawing shows only LC, but this product can clean MU too.

3. Push the Main Body to start cleaning the MU/LC connector end face. A “click” sound indicates end of cleaning process. Close the Guide Cap after use.

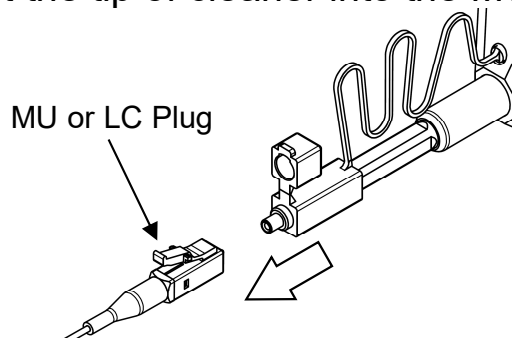


<Connector plugs alone>

1. Open the Cover on the Guide Cap.

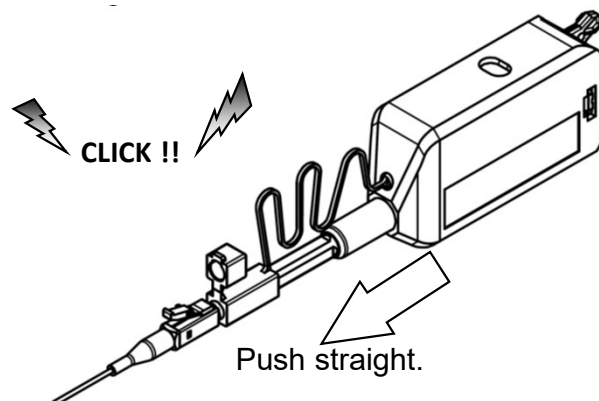


2. Insert the tip of cleaner into the MU/LC plug.



Note: This drawing shows only LC, but this product can clean MU too.

3. Push the Main Body to start cleaning the MU/LC connector end face. A “click” sound indicates end of cleaning process. Close the Cover after use.



- Be careful not to slant the One-Click™ Cleaner MU/LC Mini while inserting into the adapter/plug.
- Do not overly exert force during insertion as this may cause damage to both the connector and the One-Click™ Cleaner MU/LC Mini.
- If pushing Main Body is inhibited, remove One-Click™ Cleaner MU/LC Mini from adapter/plug and ensure that there is no sizeable debris inhibiting the cleaning process.

6. Contact us

<https://www.optic-product.fujikura.com/optical-components/contact/>