

# One-Click® Cleaner CS®/MDC Duplex Instruction Manual

Thank you for choosing the **One-Click® Cleaner CS®/MDC Duplex**.  
 The **One-Click® Cleaner CS®/MDC Duplex** is a high-performance device designed for cleaning the ferrule end faces of CS® Connector / MDC Connector.  
 Please carefully read this instruction manual before using this device.

## 1. Safety precautions



Though our device is deemed safe, improper usage or handling can still inflict injury to others.  
 One-Click® Cleaner CS®/MDC Duplex is designed to clean CS® Connector and MDC Connector only. Fujikura is not liable for damage caused in attempt to apply this device to other applications.

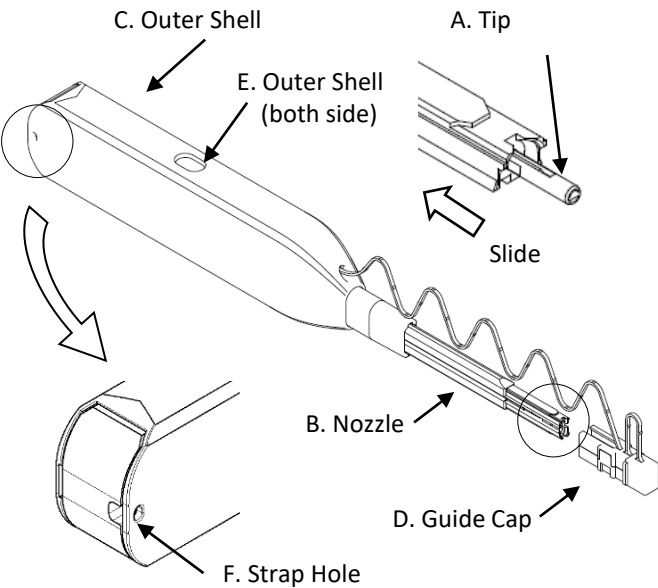
## 2. Notes on usage

- Do not attempt to disassemble as this can cause damage to the device and void warranty.
- Do not re-use cleaning cloth as this will eliminate its cleaning ability.
- Do not touch the cleaning cloth as this will cause contamination.
- Do not pull the cleaning cloth, use only the device body.
- Do not use this cleaner when the cloth is empty, as this can cause damage to the connector.
- Please keep it away from items that are sensitive to magnetism.

## 3. Notes on storage for extended periods

- Do not expose device to direct sunlight, high temperature or high humidity.
- The cover on the guide cap should be closed at all times when device is not in use.

## 4. Device construction



	View of Indicator	View of the Nozzle end
Full	Cloth (White)	Tip (Blue) Cloth (White)
Little	Cloth (White) Bobbin (Red)	Tip (Blue) Cloth (White)
Empty	Bobbin (Red)	Tip (Blue) No Cloth (Blue)

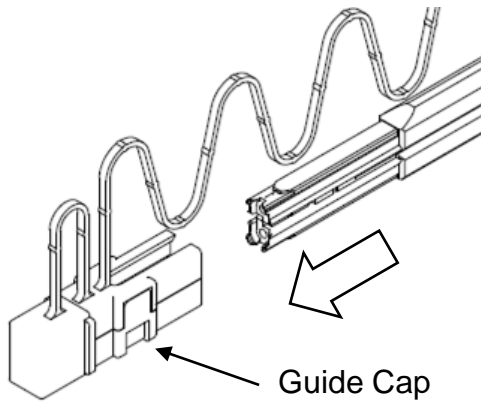
Identification of remaining cloth

No.	Part Name	Function
A	Tip	Lead the cleaning cloth to the optical connector end face.
B	Nozzle	Lead tip to the optical connector end face.
C	Outer Shell	Push the outer shell to clean the connector.
D	Guide Cap	Acts as dust cap or cleaning adapter for connector plug.
E	Indicator(both side)	Provides indication of remaining cleaning cloth.
F	Strap Hole	Can pass the strings through the strap hole.

## 6. Applications

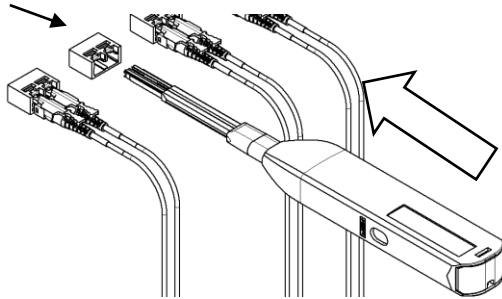
### <Connector inside adapter>

1. Remove Guide Cap from the device.

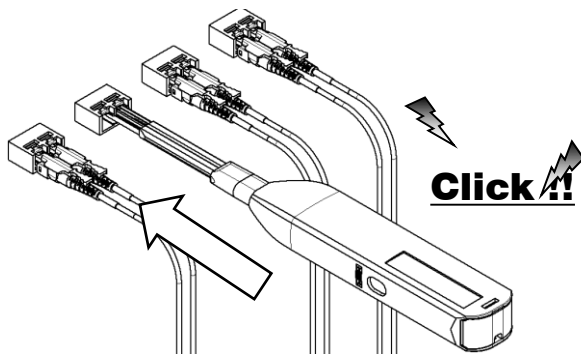


2. Insert tip of cleaner into the target connector Adapter.

Target connector Adapter



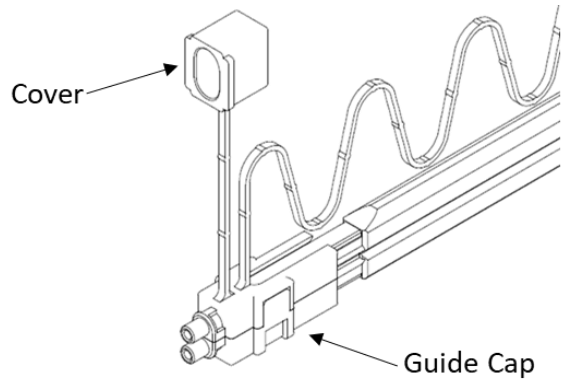
3. Push the Outer Shell to start cleaning the target connector end face. An audible “click” sound indicates end of cleaning process. Close the cover after use.



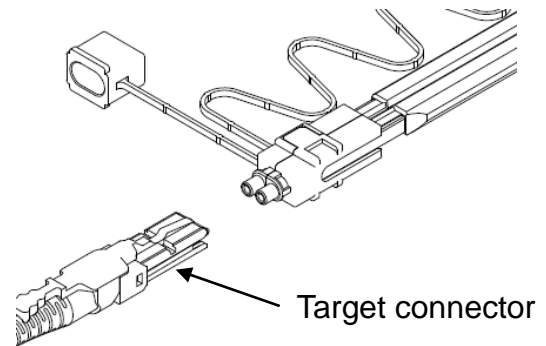
- Be careful not to slant the One-Click® Cleaner CS®/MDC Duplex. while inserting into the adapter.
- Do not overly exert force during insertion as this may cause damage to both the connector and One-Click® Cleaner CS®/MDC Duplex.

### <Connector plugs alone>

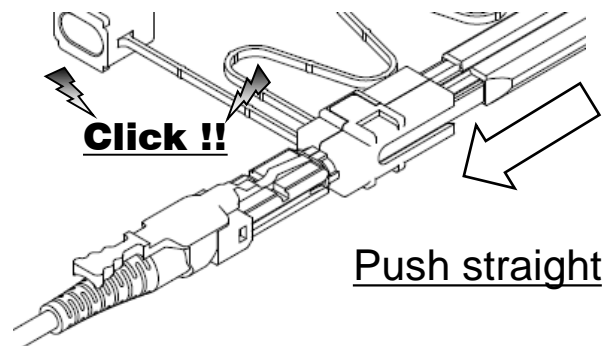
1. Open the Cover on the Guide Cap.



2. Insert the target connector into the Guide Cap



3. Push the Outer Shell to initiate the cleaning the target connector end face. An audible “click” sound indicates end of cleaning process. Close the cover after use.



Be careful not to slant connector while inserting into the Guide cap.

Do not overly exert force during insertion as this may cause damage to both the connector and One-Click® Cleaner CS®/MDC Duplex