


Thank you for choosing the **One-Click™ Cleaner ODC**. The **One-Click™ Cleaner ODC** is a high-performance device designed for cleaning the ferrule end faces of ODC connectors. Carefully read this handbook before using this device. Please keep this handbook for future reference.

## 1. Safety precautions

	Though our device is deemed safe, improper usage or handling can still inflict injury to others.
	One-Click™ Cleaner ODC is designed to clean ODC connectors, MU connectors and LC connectors only. Fujikura is not liable for damage caused in attempt to apply this device to other applications.

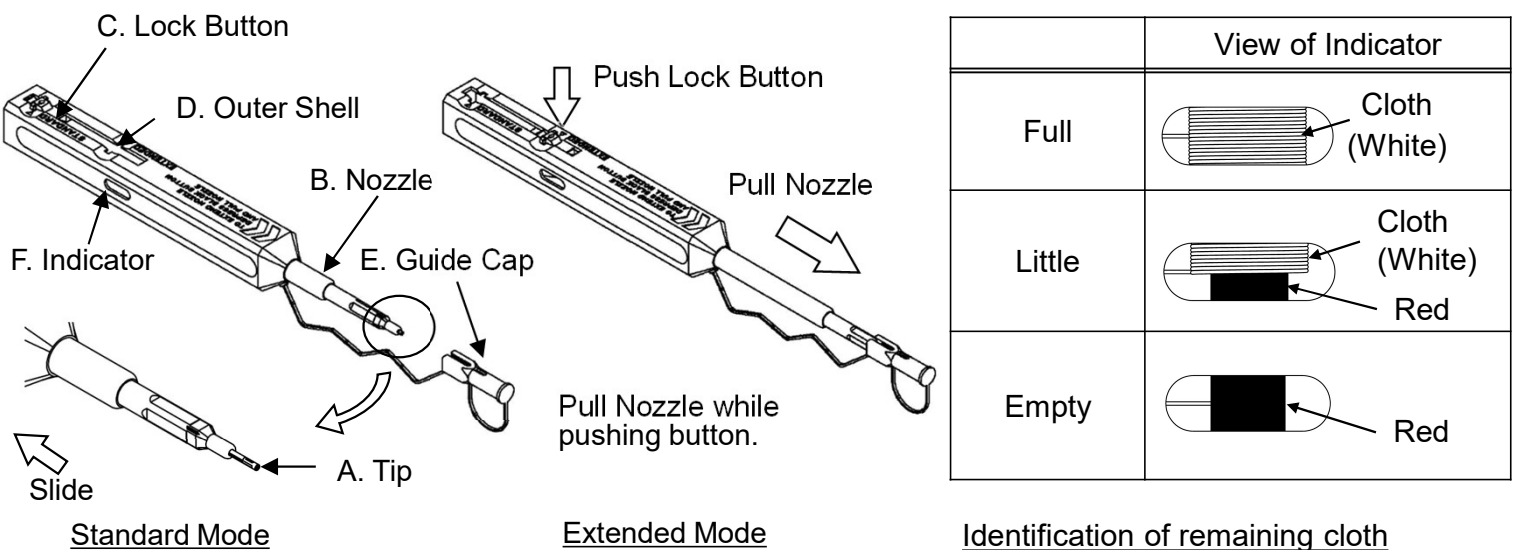
## 2. Notes on usage

- Do not attempt to disassemble as this can cause damage to the device.
- Do not re-use cleaning cloth as this will eliminate its cleaning ability.
- Do not touch the cleaning cloth as this will cause contamination.
- Do not pull the cleaning cloth, use only the device body.
- Do not use this cleaner when the cloth is empty, as this can cause damage to the connector.

## 3. Notes on storage for extended periods

- Do not expose device to direct sunlight, high temperature or high humidity.
- The cover on the guide cap should be closed at all times when device is not in use.

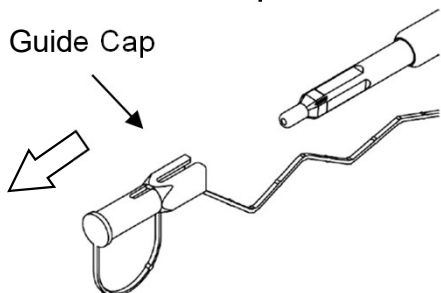
## 4. Device construction



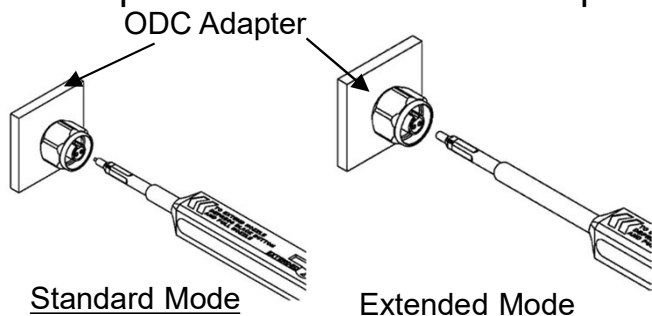
No.	Part Name	Function
A	Tip	Lead the cleaning cloth to the optical connector end face.
B	Nozzle	Lead tip to the optical connector end face.
C	Lock Button	Push the button to extend and contract the nozzle.
D	Outer Shell	Push the outer shell to clean the connector.
E	Guide Cap	Acts as dust cap or cleaning adapter for connector plug.
F	Indicator	Provides indication of remaining cleaning cloth.

## 5. Applications(One-Click™ Cleaner ODC) <Connector inside adapter>

1. Remove Guide Cap from the device

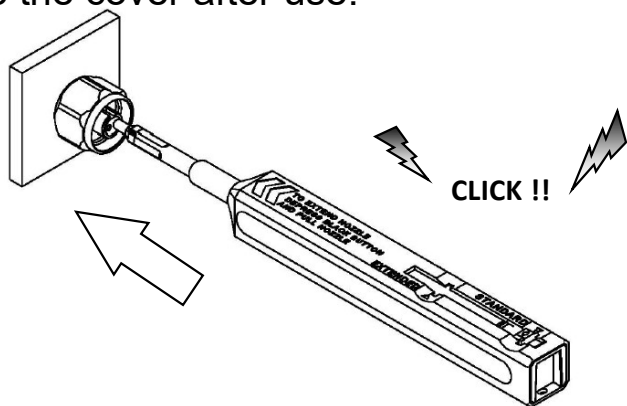


2. Insert tip of cleaner into ODC Adapter



Note: This drawing shows only ODC, but this product can clean MU and LC too.

3. Push the Outer Shell to start cleaning the ODC connector end face. A “click” sound indicates end of cleaning process. Close the cover after use.



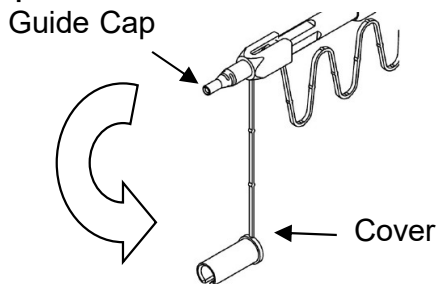
Be careful not to slant the One-Click™ Cleaner ODC while inserting into the adapter.

Do not overly exert force during insertion as this may cause damage to both the connector and the One-Click™ Cleaner ODC.

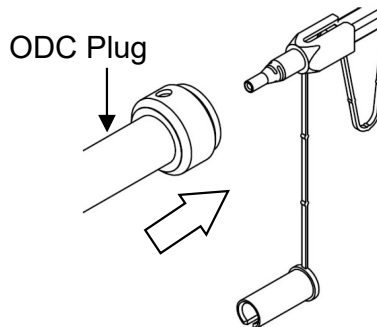
If pushing Outer Shell is inhibited, remove One-Click™ Cleaner ODC from adapter and ensure that there is no sizeable debris inhibiting the cleaning process.

## <Connector plugs alone>

1. Open the Cover on the Guide Cap

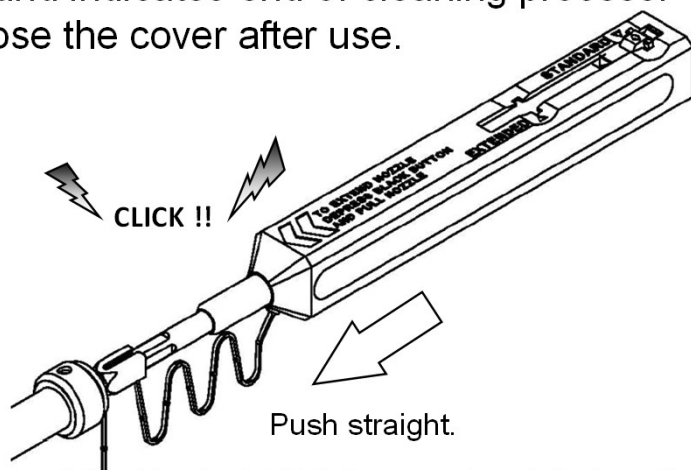


2. Insert ODC connector into the Guide Cap



Note: This drawing shows only ODC, but this product can clean MU and LC too.

3. Push the Outer Shell to start cleaning the ODC connector end face. A “click” sound indicates end of cleaning process. Close the cover after use.



Be careful not to slant MU/LC connector while inserting into the Guide cap.

Do not overly exert force during insertion as this may cause damage to both the connector and the One-Click™ Cleaner ODC.

If pushing Outer Shell is inhibited, remove One-Click™ Cleaner ODC from adapter and ensure that there is no sizeable debris inhibiting the cleaning process.

## 6. Contact us

<https://www.optic-product.fujikura.com/optical-components/contact/>

Copyright (C) 2024 Fujikura.Ltd, All rights reserved.