

Thank you for choosing the **One-Click™ Cleaner LC PRO**. The **One-Click™ Cleaner LC PRO** is a high-performance device designed for cleaning the ferrule end face of LC connectors. Please carefully read this Handbook before using this device.

## 1. Safety precautions



Though our device is deemed safe, improper usage or handling can still inflict injury to others.

One-Click™ Cleaner LC PRO is designed to clean optical connector. Fujikura Ltd. is not liable for damage caused in attempt to apply this device to other applications.

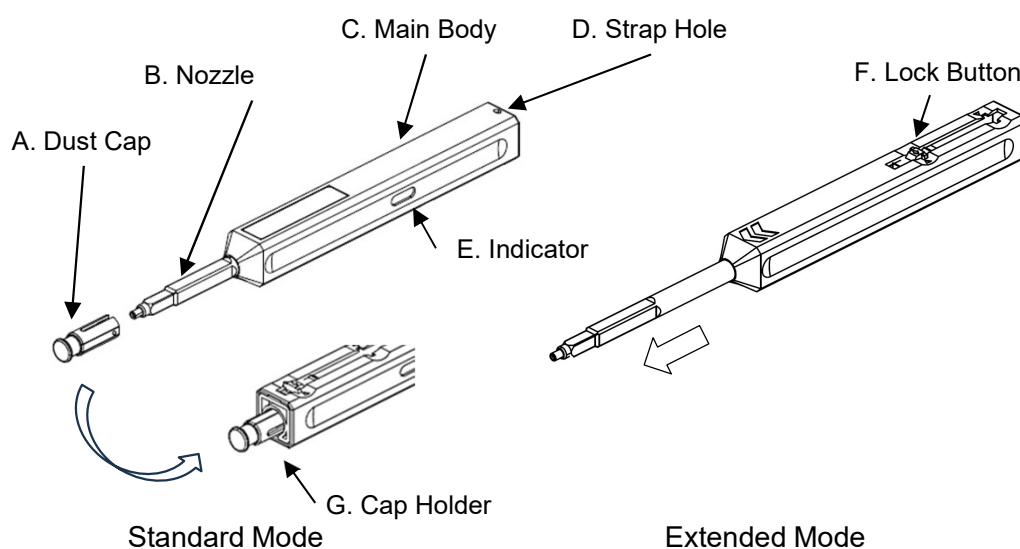
## 2. Notes on usage

- Do not attempt to disassemble as this can cause damage to the device and void warranty.
- Do not re-use cleaning cloth as this will eliminate its cleaning ability.
- Do not touch the cleaning cloth as this will cause contamination.
- Do not pull the cleaning cloth, use only the device body.
- Do not use this cleaner when the cloth is empty, as this can cause damage to the connector.

## 3. Notes on storage for extended periods

- Do not expose device to direct sunlight, high temperature or high humidity.
- When storing, attach the supplied dust cap.

## 4. Device construction



	View of Indicator
Full	Cloth (White)
Little	Cloth (White) Bobbin (Red)
Empty	Bobbin (Red)

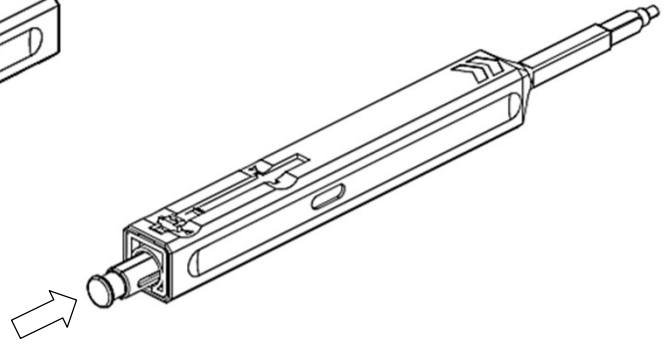
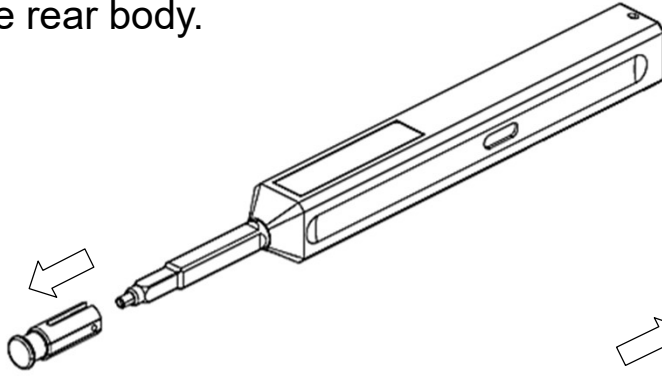
Identification of remaining cloth

No.	Part Name	Function
A	Dust Cap	Prevents dust from attaching to the cleaning cloth.
B	Nozzle	Aligns the cleaning cloth to the connector end face when cleaning through the connector adapter/plug.
C	Main Body	Hold this part and push it into the adapter (plug) to clean.
D	Strap Hole	Can be used to attach a strap to the cleaner (strap not included).
E	Indicator	Provides indication of remaining cleaning cloth.
F	Lock Button	To unlock mechanism to change nozzle length
G	Cap Holder	The dust cap can be held in this part at the rear end of the body.

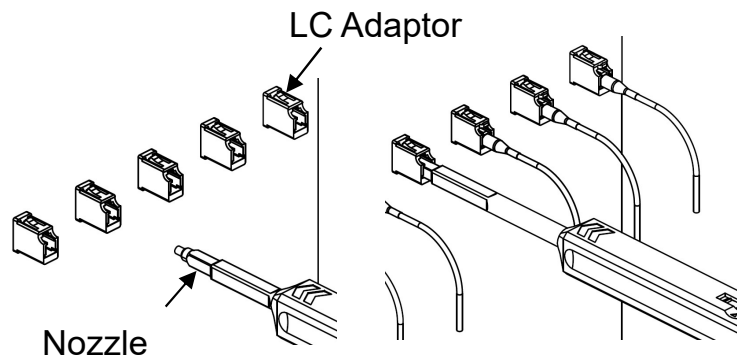
## <Connector inside adapter>

## <Connector plugs alone>

1. Remove the dust cap from the device and insert into the cap holder on the rear body.



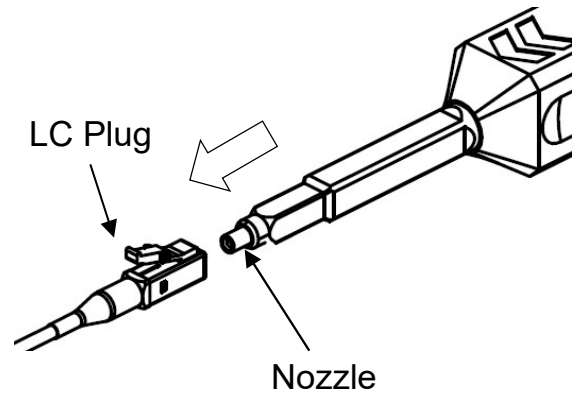
2. Insert the nozzle of cleaner into the LC Adaptor.



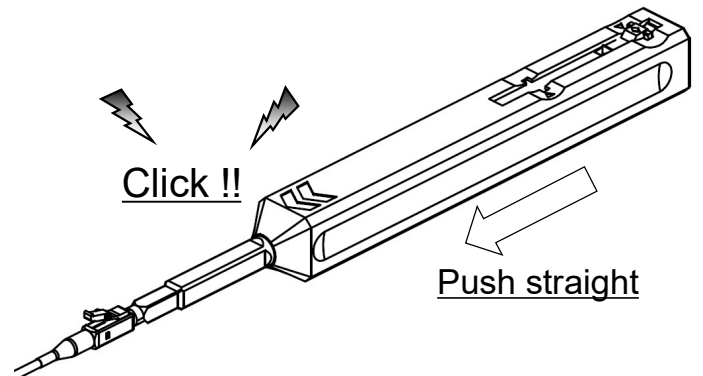
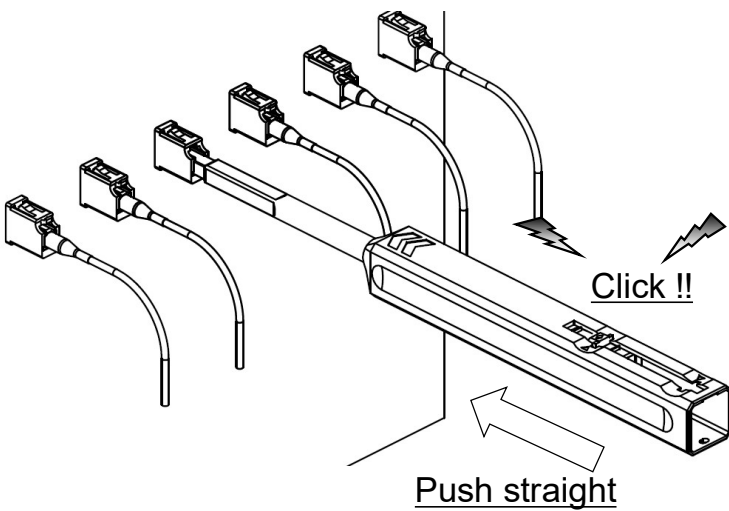
Standard Mode

Extended Mode

2. Insert the nozzle into the LC plug.



3. Push the body to start cleaning the end face of the target connector. A “click” sound indicates the end of cleaning process. Please attach the dust cap after use.



Be careful not to slant the One-Click™ Cleaner LC PRO while inserting into the Adapter / Plug. Do not overly exert force during insertion as this may cause damage to both the connector and the One-Click™ Cleaner LC PRO.

# 6. Contact us

<https://www.optic-product.fujikura.com/optical-components/contact/>