

Thank you for choosing the **One-Click™ Cleaner MMC**. The **One-Click™ Cleaner MMC** is a high-performance device designed for cleaning the ferrule end face of MMC connectors. Please carefully read this Handbook before using this device.

1. Safety precautions



Though our device is deemed safe, improper usage or handling can still inflict injury to others.

One-Click™ Cleaner MMC is designed to clean 24F MMC connector.

The pin spacing is based on 24F ferrule format.

Fujikura Ltd. is not liable for damage caused in attempt to apply this device to other applications.

2. Notes on usage

Do not attempt to disassemble as this can cause damage to the device and void warranty.

Do not re-use cleaning cloth as this will eliminate its cleaning ability.

Do not touch the cleaning cloth as this will cause contamination.

Do not pull the cleaning cloth, use only the device body.

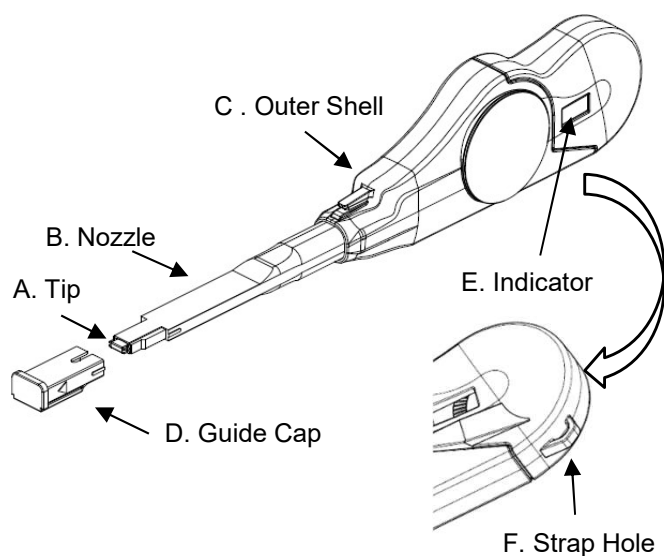
Do not use this cleaner when the cloth is empty, as this can cause damage to the connector.

3. Notes on storage for extended periods

Do not expose device to direct sunlight, high temperature or high humidity.

The cover on the Cap should be closed at all times when device is not in use.

4. Device construction



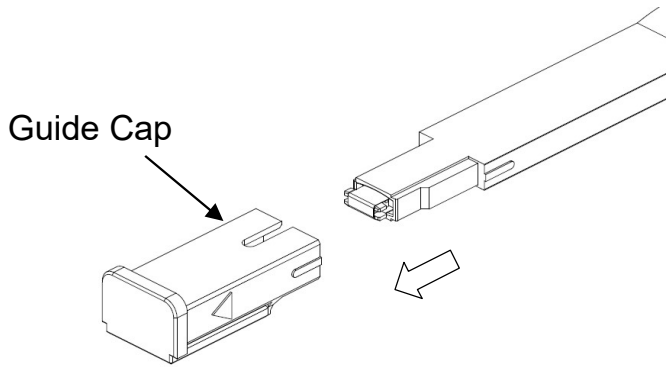
	View of Indicator	View of Nozzle end
Full	Cloth (white)	Tip (Gray) Cloth (white)
Little	Clear	
Empty	Clear	Tip is shorten and unmoving

No.	Part Name	Function
A	Tip	Aligns the cleaning cloth to the connector end face .
B	Nozzle	Allows the tip to reach connector adapters .
C	Outer Shell	Houses cleaning cloth and pushed forward to clean the connector.
D	Guide Cap	Acts as a dust cap and is used as an adapter to cleaning plug connectors on jumpers.
E	Indicator	Provides indication of remaining cleaning cloth.
F	Strap Hole	Can be used to attach a strap to the cleaner (strap not included).

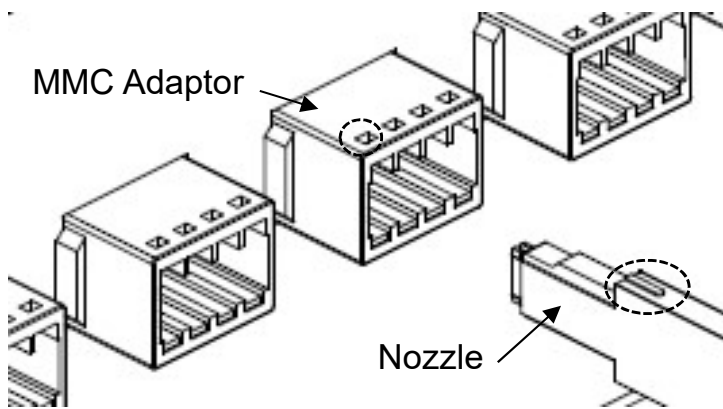
5. Applications

<Connector inside adapter>

1. Remove the Guide Cap from device



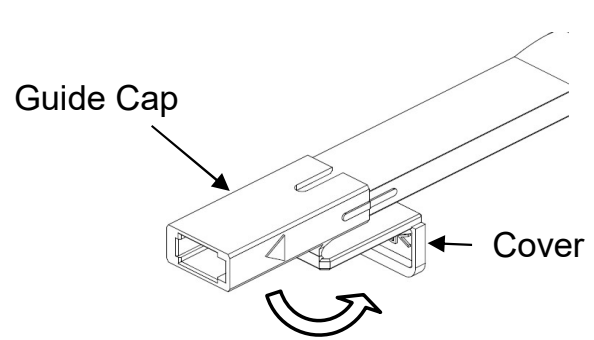
2. Insert the Nozzle of cleaner into MMC/MMC Jr. Adaptor.



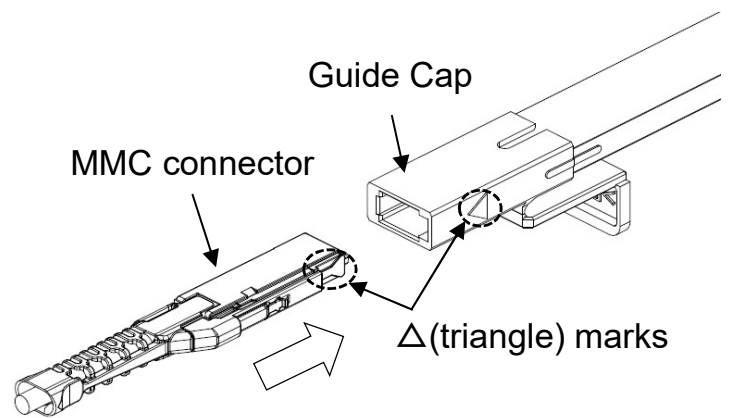
Match each other's marks when inserting the Nozzle into the MMC Adaptor.

<Connector plugs alone>

1. Open the Cover on the Guide Cap.

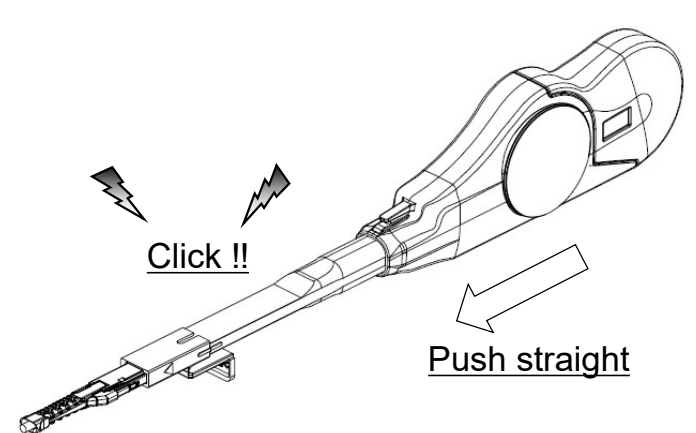
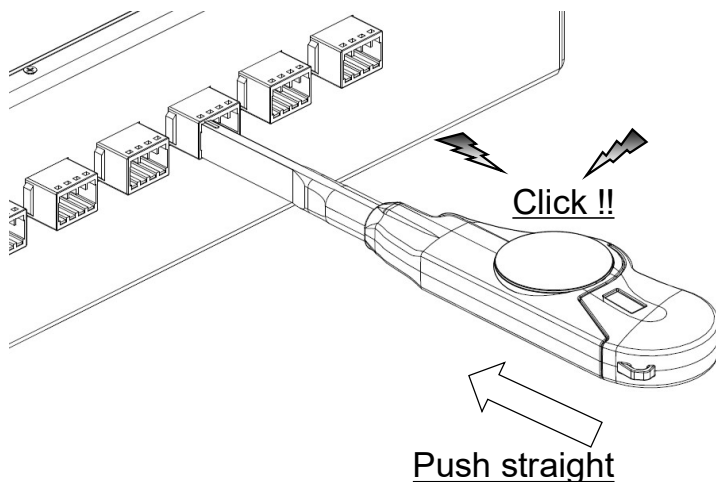


2. Insert the MMC connector into the Guide Cap.



Match each other's Δ (triangle) marks when inserting MMC connector into the Guide Cap.

3. Push the Outer Shell to start cleaning the target connector end face. A "Click" sound indicates end of cleaning process. Please attach the Guide Cap after use.



Be careful not to slant the One-Click™ Cleaner MMC while inserting into the Adapter / Plug. Do not overly exert force during insertion as this may cause damage to both the connector and the One-Click™ Cleaner MMC.